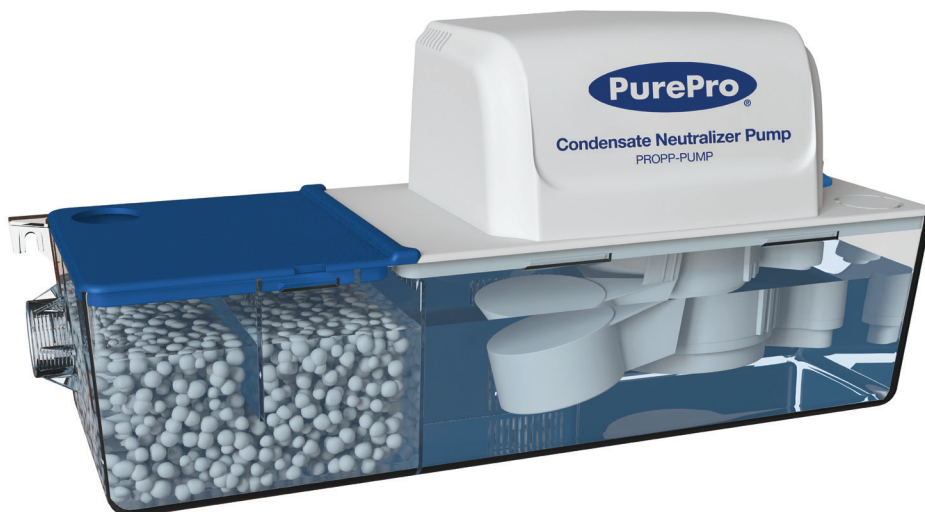


# Condensate Neutralizer Pump

PROPP-PUMP

PurePro®



## Condensate Neutralization Tank with Pump

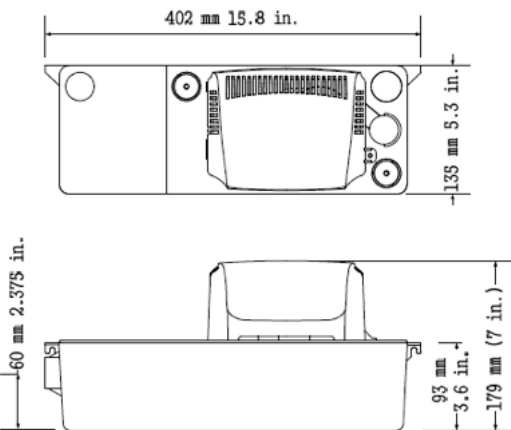
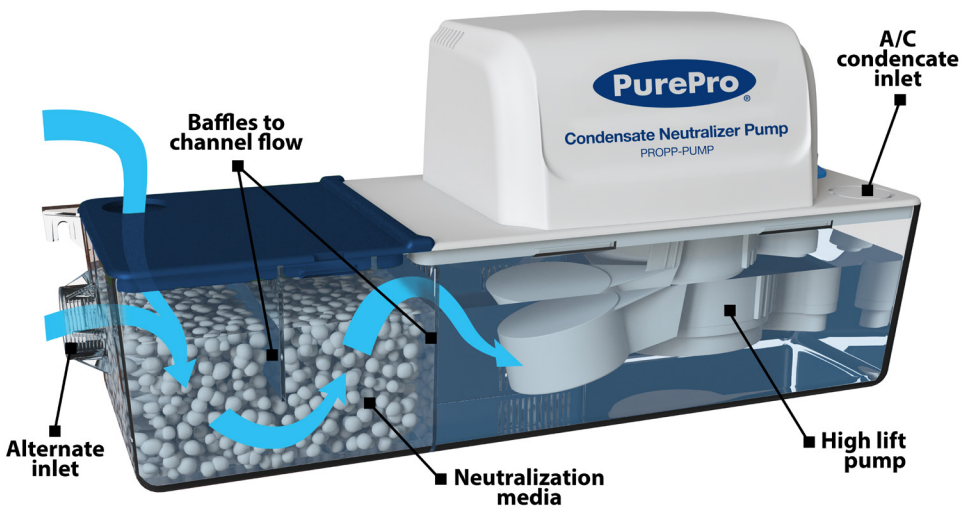
The PROPP-PUMP is ideal for installations that require both condensate removal and neutralization. The condensate produced by gas fired condensing appliances is acidic and has the potential to harm the environment and the sewer system.

### Features and benefits:

- 1.9 Gal./hr.
- 500,000 BTU
- 20 ft. lift, high performance pump
- Comes with high level float for hook up to alarm system
- Condensate Neutralizer Pump prevents acidic condensate from corroding drains and sewer systems
- Neutralized condensate is more environmentally friendly
- Low profile design for appliances with near floor condensate drain
- All materials made from corrosion resistant material
- 1 gallon tank with baffles designed to channel flow through media for complete neutralization
- Additional inlet for A/C condensate
- High level alarm contacts
- Includes initial charge of Neutralizing Media
- Can be wall mounted

\*Check with the appliance manufacturer for condensate.  
As a guideline 500,000 BTU/hr. at 93% efficiency will produce approximately 1.9 Gal./hr.

# Condensate Neutralizer Pump



## Weight

8.5 lbs. (full)

## Electrical

Pump: 120VAC 60Hz, 87W, 0.89 Amps High level safety switch rating: 125 or 250VAC 6A, 125V DC 0.4A, 250V DC 0.3A

## Pump Performance

Submerged pump is self-priming  
74 gph @ free flow  
32 gph @ 20 ft.

## Specifications

The condensate neutralization tank with pump shall be PurePro model PROPP-PUMP. System shall include 1 gallon tank and lid made from SAN, pump with thermal cut-out and electrically and electrically certified to CAN/CSA STD C22.2 no. 108 conforms to ANSI/UL STD 778; low level float switch; high level float switch for remote alarm system; check valve; 20 feet of 1/2" vinyl tubing, 3/4" FNPT inlet connection; 6 feet long power cord. Power supply: 110/60/0.6A. Comes with 2.7 lbs. of neutralization media.

Specifications		
Webb#	Mfr#	Description
681739	PROPP-PUMP	Condensate Neutralization Tank with Pump – 500K BTU
681740	PROPP-PUMPRK	Replacement Neutralization Media for PROPP-PUMP
689667	PROR-PUMP	Replacement Pump



Pump is certified to CAN/CSA STD C22.2 no. 108  
4007096 Pump conforms to ANSI/UL STD 778