

Advantage® Oil Fired Water Boiler

ADVANTAGE® CAST IRON BOILERS

Features

- A rugged wet-base heat exchanger design
- Three physical sizes with seven firing rates
- Cast-iron burner swing-open door for easy access
- Available with and without tankless coil
- 3-prong quick disconnect for easy service
- Attractive split jacket easily removed for servicing
- Taco 0015 3-speed circulator
- Barometric damper
- ASME safety relief valve
- Fuel Smart HydroStat® 3250 control
 - Temperature Limit Control: Designed for cold start and tankless coil boilers
 - Low Water Cut-Off: Provides protection against potentially dangerous low water conditions
 - Boiler Reset Control: Utilizes Thermal Targeting™ technology to conserve fuel by monitoring heating demand and establishing target boiler temperatures below the high limit setting
- Optional outdoor reset with sensor part #48-140
- Limited lifetime warranty



Available in heating capacities from 80,000 to 241,000 BTU/hour.

The PurePro® Advantage Oil Boiler is a residential, cast-iron, oil-fired water boiler designed for installation with a standard chimney. It is available in heating capacities from 80,000 to 241,000 BTU/hr. for most firing rates.

With its limited lifetime warranty, the Advantage sets the standard for installer-ready oil fired boilers. The Advantage is available with a Beckett AFG Burner, and comes standard with a Taco 0015 3-speed Circulator and Hydrolevel 3250 HydroStat which combines Temperature Limit Control, LWCO and Boiler Reset in one easy to use control.

The Advantage is available with an optional front mounted tankless coil for Domestic Hot Water needs.

Abundant, Rapid Hot Water Heating

PurePro offers a complete line of indirect water heaters to complement the Advantage Oil boiler. By utilizing the Advantage Oil boiler as its heat supply, the burner fires only when necessary and transfers heat from the Advantage boiler to the water heater through a highly efficient heat exchanger.



Specifications

Advantage Oil Boiler Model #	No. Sections	DOE Heating Capacity (btu/hr)	IBR Net Rating (btu/hr)	Burner Capacity GPH	AFUE (%)	Tankless Heater GPM	Chimney Size In. x In. x Ft.	Dimension (Inches)		Flue Collar Diameter (Inches)	Shipping Weight (Approx.)
								A	B		
A0-3	3	80,000	70,000	0.65	86.1	2.75	8 x 8 x 15	16-1/2	8-1/4	6	560
A0-3	3	91,000	79,000	0.75	85.8	3	8 x 8 x 15	16-1/2	8-1/4	6	560
A0-3	3	120,000	104,000	1.00	84.3	3.25	8 x 8 x 15	16-1/2	8-1/4	6	560
A0-4	4	152,000	132,000	1.25	85.1	3.75	8 x 8 x 15	21-1/2	10-3/4	7	680
A0-4	4	179,000	156,000	1.50	84	4	8 x 8 x 15	21-1/2	10-3/4	7	680
A0-5	5	210,000	183,000	1.75	85.1	4.25	8 x 8 x 15	26-1/2	13-1/4	8	800
A0-5	5	238,000	207,000	2.00	84.7	4.75	8 x 8 x 15	26-1/2	13-1/4	8	800

Front-mounted Tankless Coil available in these model numbers: AOT-3, AOT-4, AOT-5

Burner Part Numbers

Mfr. #	Description
104095-01	Beckett AFG - 3 Section Burner
104096-01	Beckett AFG - 4 Section Burner
104097-01	Beckett AFG - 5 Section Burner

Constructed and tested in accordance with ASME Boiler Code, Section IV. A limited lifetime warranty is provided for the cast iron heat exchanger.

Supply and return piping connection is 1 1/2" – all sizes

- Specifications and dimensions are subject to change without notice.
- Consult factory if unusual piping or pickup requirements exist.
- The Net I=B=R Water Ratings shown are based on a piping and pickup allowance of 1.15.
- Firing rate in GPH based on having a heat value of 140,000 BTU/GAL.

Energy Star Kit Part Numbers

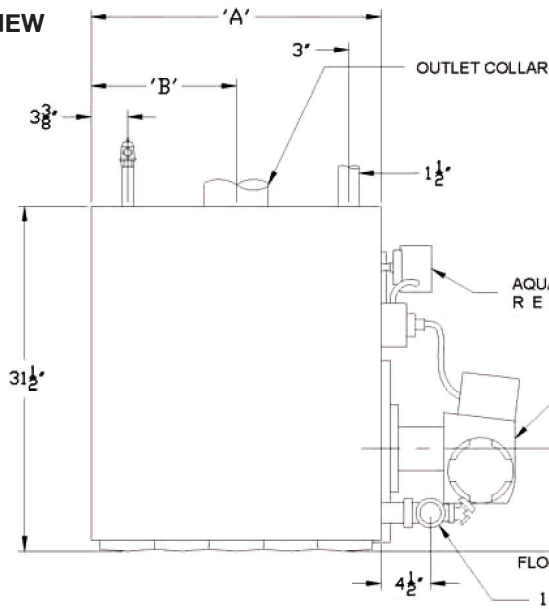
Mfr. #	Description
PRO106388-03	Energy Star Kit, 3-Section Advantage Oil, AO(T)-3
PRO106388-04	Energy Star Kit, 4-Section Advantage Oil, AO(T)-4
PRO106388-05	Energy Star Kit, 5-Section Advantage Oil, AO(T)-5

Materials Provided in High Efficiency Kits

- Field Controls Oil Vent Damper System (OVD)
 - For AO(T)-3 (Field Controls P/N OVD-6)
 - For AO(T)-4 (Field Controls P/N OVD-7)
 - For AO(T)-5 (Field Controls P/N OVD-8)
- Supplemental Installation Instructions
- Conversion Rating Label
- Energy Guide Label
- ENERGY STAR Label



LEFT SIDE VIEW



FRONT VIEW

