

PUREPRO[®] 2PC LEAD-FREE FULL PORT BRASS BODY BALL VALVES



Features:

- Threaded or solder connection
- 600 WOG
- 150 WSP
- Full Port
- Chrome Plated Ball
- Meets MSS SP-110 Standards
- PTFE Seats
- NSF 61-8 Approved
- CSA Approved
- Blow-out Proof Stem
- Adjustable Packing

SIZE	1/2"	3/4"	1"	1-1/4"	1-1/2"	2"
THREAD PART #	PROT103LF-12	PROT104LF-34	PROT105LF-1	PROT106LF-114	PROT107LF-112	PROT108LF-2
SWEAT PART#	PROC203LF-12	PROC204LF-34	PROC205LF-1	PROC206LF-114	PROC207LF-112	PROC208LF-2
FLOW RATE (GPM) (CV)	15	51	68	125	177	389

LF = Lead-Free

Gas Approvals:

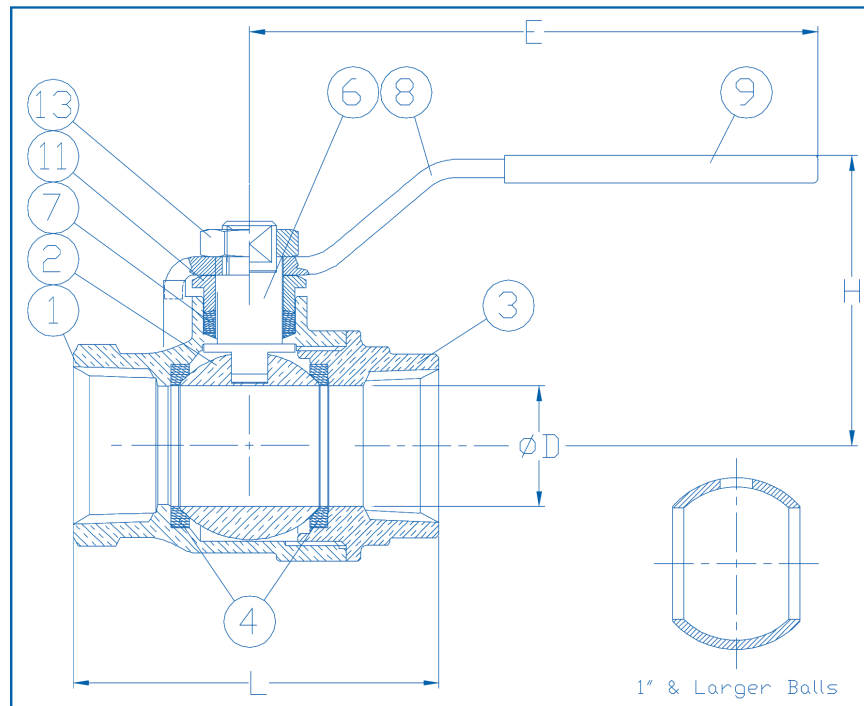
- CSA Class 3371-08, ANSI Z21.15/CSA9.1, 1/2 PSIG, 32°F – 125°F
- CSA Class 3371-10, CGA 3.16, 125 PSIG, -40°F – 149°F
- CSA Class 3371-12, CGACR91-002, 2-5 PSIG, -40°F – 125°F
- CSA Class 3371-88, ANSI Z21.15/CSA9.1, 1/2 PSIG, -40°F – 125°F
- CSA Class 3371-92, ASME B16.44, 5 PSIG, -40°F – 125°F
- CSA Class 3371-94, ASME B16.33, 125 PSIG, -20°F – 150°F
- UL Class YRBX, ANSI/UL-842, 600 PSIG, -20°F – 125°F
- UL Class YSTD, ANSI/UL-125, 250 PSIG, -40°F – 130°F



PurePro[®]
 1 Bon Terrain Drive
 Amherst, NH 03031

PurePro[®]

PUREPRO[®] 2PC FULL PORT BRASS BODY BALL VALVES



Dimensions (Inches) & Weights

SIZE	ØD	E	L	H	Wt (Lbs)
1/4	0.40	3.36	1.84	1.48	0.31
3/8	0.40	3.36	1.84	1.48	0.31
1/2	0.51	3.36	2.20	1.56	0.40
3/4	0.80	4.72	2.56	2.00	0.79
1	1.00	4.72	3.04	2.16	1.19
1-1/4	1.28	5.36	3.48	2.64	1.92
1-1/2	1.52	5.36	3.72	2.80	2.60
2	2.00	8.00	4.40	3.52	4.37

Standard Materials

Ref. No.	Description	Material	Qty
1	Body	B124-C37700 (1/2" - 1-1/2")	1
		B584-C85700 (2" & Up)	
2	Ball	B16-C36000 (1/2" - 3/4")	1
		B124-C37700 (1" & Up)	
3	End Cap	B124-C37700	1
4	Seat	PTFE	2
6	Stem	B16-C36000	1
7	Stem Packing	PTFE	1 Set
8	Handle	A283-D	1
9	Handle Cover	Plastic	1
11	Packing Gland	B16-C36000	1
13	Handle Nut	AISI-1010	1



PurePro[®]
 1 Bon Terrain Drive
 Amherst, NH 03031

PurePro[®]