



## 4" Single Handle Lavatory Faucet PRO1100 PRO1100BN

### FEATURES:

- Solid brass waterways
- Fits 4" center holes
- Ceramic Disc Valve
- ½" 14 NPS Inlet
- Metal Lever handle
- With Brass pop-up
- 100% ISO9001 certified factory pressure tested before shipment
- Meets product compliance of less than or equal to 0.25% maximum weighted average lead content



### APPLICABLE STANDARDS/CODES:

Specified model meets or exceeds the following:

- ANSI/ASME A112.18.1
- CSA B125
- ANSI/NSF 61 – Sec. 9
- IAPMO/UPC
- ADA

### AVAILABLE FINISHES:

- CP = Polished Chrome
- BN = Brushed Nickel

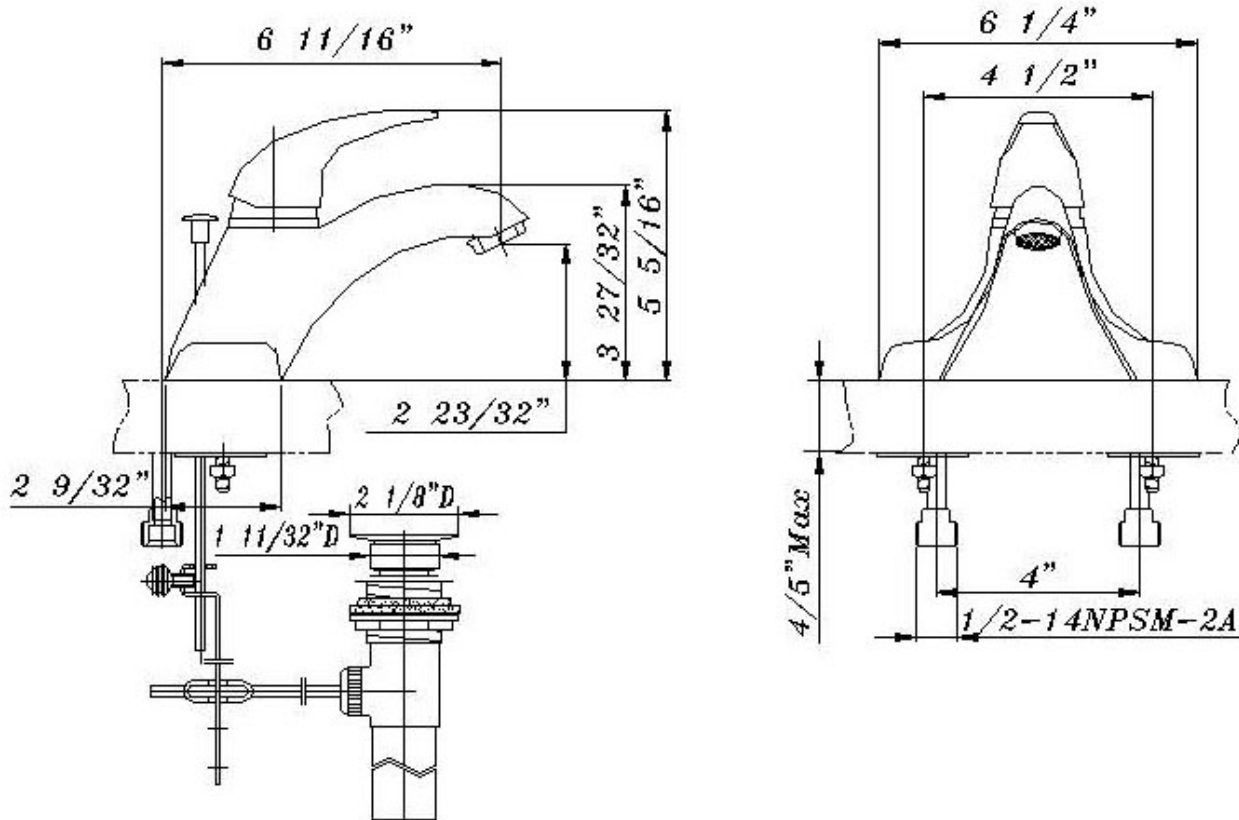
### SPECIFIED MODEL:

Model	Description	Finish
PRO1100	4" single handle lavatory Faucet.	CP
PRO1100BN	4" single handle lavatory Faucet.	NP



# PRO1100 PRO1100BN

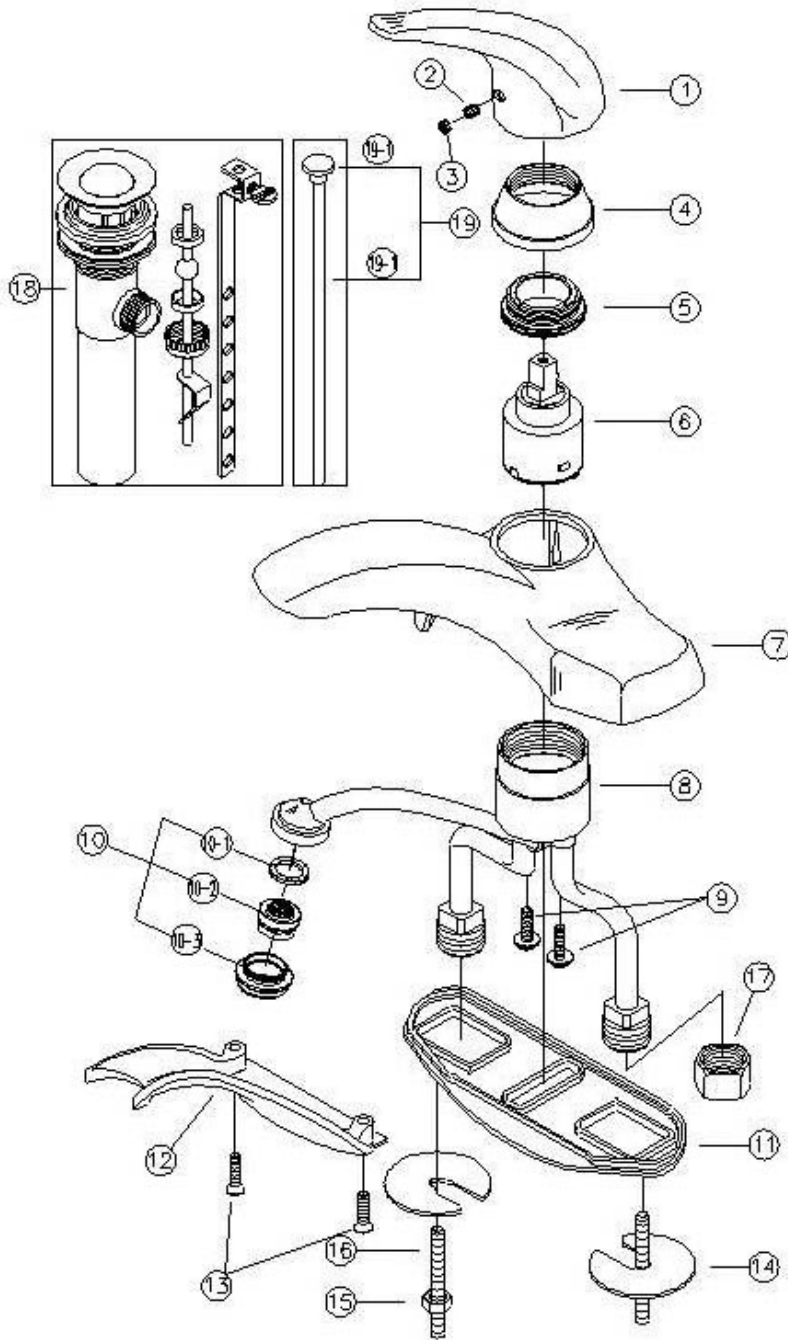
## PRODUCT SPECIFICATION DIAGRAM





# PRO1100 PRO1100BN

## EXPLODED DRAWING





# PRO1100 PRO1100BN

## PARTS LISTING

NO.	NAME	PART NO.	MATERIAL	QUANTITY
1	handle	029072CP/BN	Zinc	1
2	handle set screw	008003	SUS302	1
3	red/blue insert	028065	Silica Gel	1
4	cap	103021CP/BN	Zinc	1
5	adjusting ring	104002	Brass	1
6	ceramic cartridge	507348N		1
7	cover plate	007038CP/BN	Zinc	1
8	body assembly	005006N		1
9	screw	008043	SUS302	2
10	aerator	500219NCP/BN		1
11	black pad	011048	PP	1
12	bottom plate	223009	Zinc	1
13	bottom plate screw	008092	SUS304	2
14	washer	013001	Q235-A	2
15	coupling nut	009004	Q235	2
16	screw stem	017000	Stainless	2
17	lock nut	009016	Brass	2
18	pop-up assembly	556111		1
19	lift rod assembly	025011		1
19-1	lift rod knob	124010	Brass	1
19-2	lift rod	125028	Brass	1