



6"-12" Wide Spread Two handle Lavatory Faucet

PRO2600 PRO2600BN

FEATURES:

Fits 6"-12" Center Holes

- Solid brass waterways
- ceramic brass stem disc cartridge
- ½" 14 NPSM Inlet
- Water saving aerator
- 100% factory pressure tested prior to shipment
- Max flow rate: 2.2GPM at 60PSI
- Polished chrome finish



ANSI/ASME A112.18.1
CSA B125
ANSI/NSF 61 – Sec. 9
IAPMO/UPC

APPLICABLE STANDARDS/CODES:

Specified model meets or exceeds the following:

- ANSI/ASME A112.18.1
- CSA B125
- ANSI/NSF 61 – Sec. 9
- IAPMO/UPC

AVAILABLE FINISHES:

- CP = Polished Chrome
- BN = Brushed Nickel

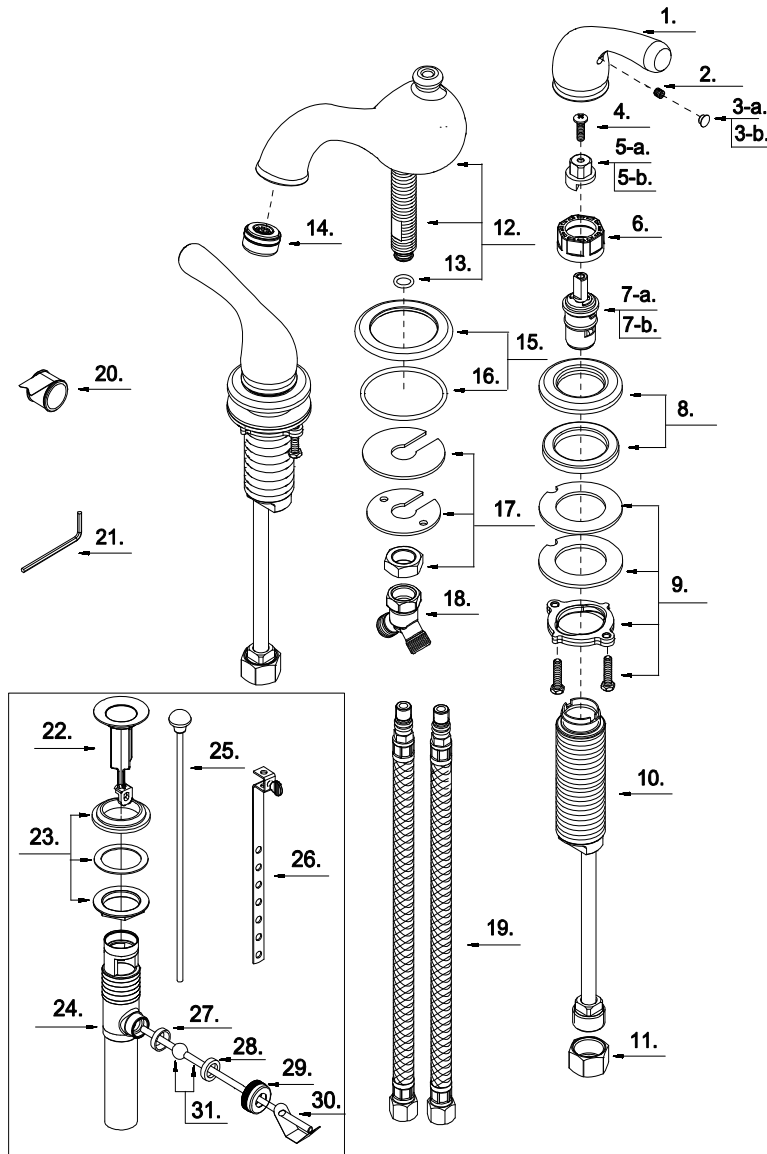
SPECIFIED MODEL:

Model	Description	Finish
PRO2600	6-12" WIDE SPREAD TWO HANDLE LAV.	CP
PRO2600BN	6-12" WIDE SPREAD TWO HANDLE LAV.	BN



PRO2600 PRO2600BN

EXPLODED DRAWING





™

PRO2600 PRO2600BN

PARTS LISTING

No.	Part Name	Part No.
1⊙.	Metal Handle	A029032
2	Screw (M5 * 5mm L)	A008003
3-a	Index Button-Cold	A028046C
3-b	Index Button-Hot	A028046H
4	Screw (3/16" -24 * 9/16" L)	A008044
5-a	Handle Adaptor-Cold	A110114C
5-b	Handle Adaptor-Hot	A110114H
6	Retainer Nut	A016003
7-a	Ceramic Disc Cartridge-Cold	A507102N
7-b	Ceramic Disc Cartridge-Hot	A507101N
8⊙.	Handle Trim Ring	A603643
9	Mounting Hardware	A603171
10	Handle Valve Body	A066010N
11	Coupling Nut	A009016
12⊙.	Spout Assembly	A666151N
13	O-Ring (Φ3/8" ID * Φ1/2" OD)	A004026N
14⊙.	Aerator	A500013N
15⊙.	Spout Trim Ring	A667568
16	O-Ring (Φ2" ID * Φ2-3/16" OD)	A048062
17	Mounting Hardware	A603233
18	“Y” Adaptor	A015004N
19	Supply Hose	A105093N
20	Pipe Tape	A203000



PRO2600 PRO2600BN
PARTS LISTING

No.	Part Name	Part No.
21	Hex Wrench (H2.5 * 19 mm L * 53 mm L)	A031000
22⊙.	Pop-up Plunger Assembly	A663121
23	Washer & Nut	A663122
24	Pop-up Body	A605222
25⊙.	Lift-Rod	A025131L
26	Lift-Rod Strap	A663521
27	Washer (Inner)	A200109
28	Washer (Outer)	A200009
29	Ball Nut	A009063
30	Spring Clip	A120030
31	Ball Rod(8-1/2" L)	A026005