



Brass Grid Strainer PRO17GST

FEATURES:

- Solid brass waterways
- Compatible any lavatory faucet
- Lifetime warranty
- 17 gage tail piece
- 100% ISO9001 certified factory tested before shipment



APPLICABLE STANDARDS/CODES:

Specified model meets or exceeds the following:

- ANSI/ASME A112.18.1
- CSA B125
- IAPMO/UPC

AVAILABLE FINISHES:

- CP = Polished Chrome

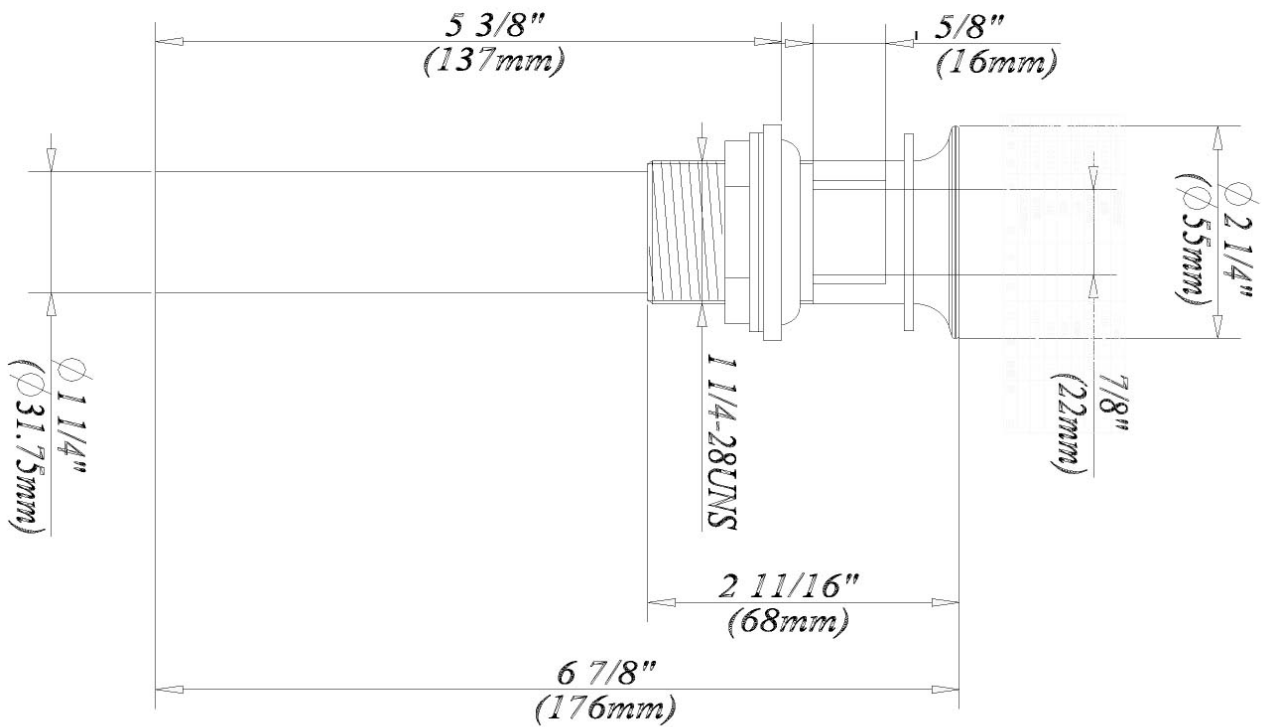
SPECIFIED MODEL:

Model	Description	Finish
PRO17GST	Brass grid strainer with 17 gage tail piece	CP



PRO17GST

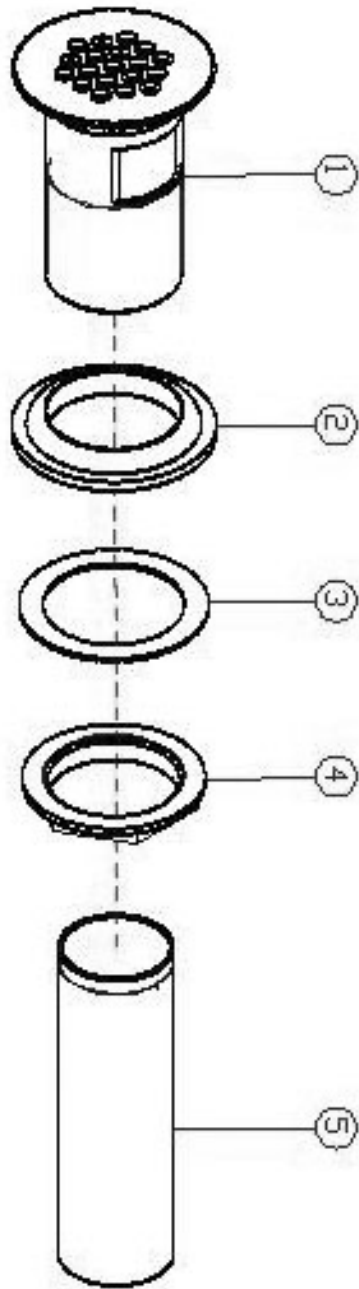
PRODUCT SPECIFICATION DIAGRAM





PRO17GST

EXPLODED DRAWING





PRO17GST

PARTS LISTING

No.	Name	Parts No.	Finish	Material	Q'ty
1	Pop-up body	123158	CP	GBR-002	1
2	Seal	010671		NBR	1
3	Washer	013653		Paper washer	1
4	Lock nut	009885	CP	GBR-002	1
5	Brass pipe	043137	CP	GBR-004	1