



8" Double Handle Kitchen Faucet PRO4100

FEATURES:

- Solid brass waterways
- Fits 8" center holes
- Drip free ceramic cartridge
- ½" 14 NPSM Inlet
- Metal round handles
- 9" Elliptic spout
- With spray
- 100% ISO9001 certified factory pressure tested before shipment



APPLICABLE STANDARDS/CODES:

Specified model meets or exceeds the following:

- ANSI/ASME A112.18.1
- CSA B125
- ANSI/NSF 61 – Sec. 9
- IAPMO/UPC

AVAILABLE FINISHES:

- CP = Polished Chrome

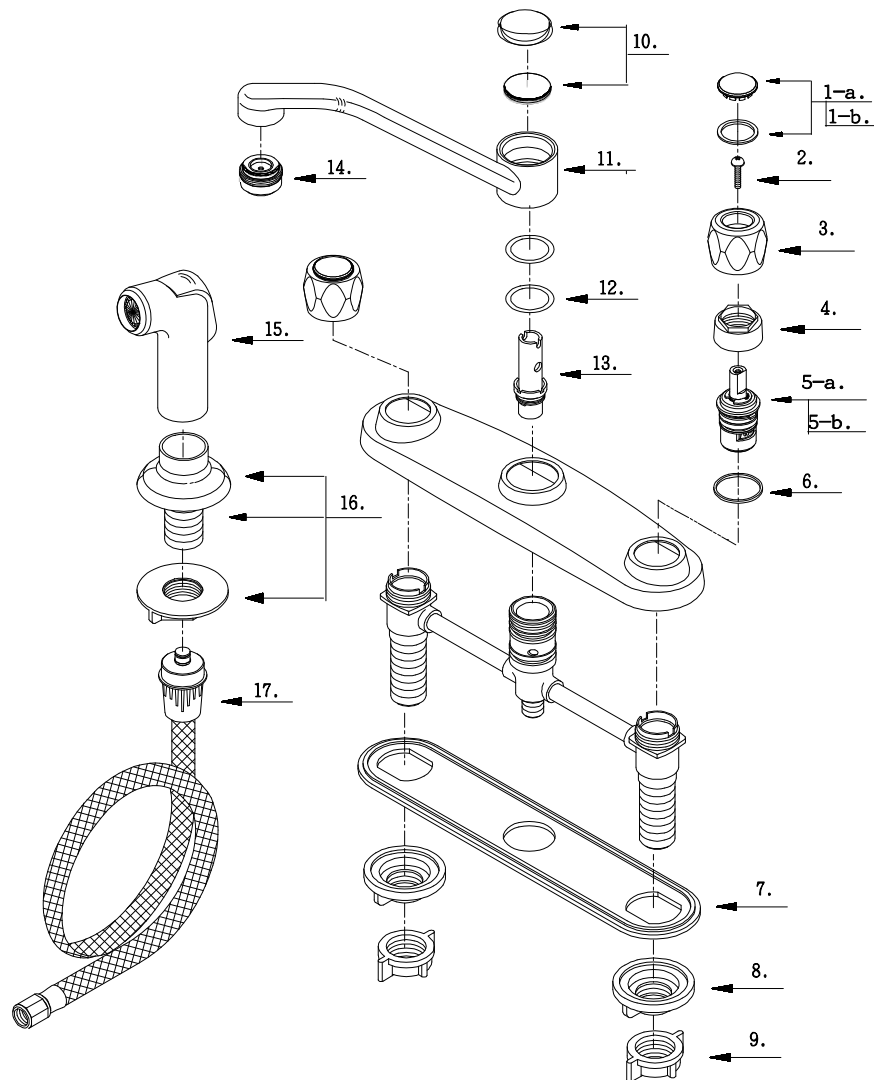
SPECIFIED MODEL:

Model	Description	Finish
PRO4100	8"double handle kitchen Faucet,	CP



PRO4100

EXPLODED DRAWING





PRO4100

PARTS LISTING

No.	Part Name	Part No.
1-a.	Index Button-Cold	A663676C
1-b.	Index Button-Hot	A663676H
2	Screw (3/16" -24 * 1/2" L)	A008000
3.	Metal Handle	A029136
4	Retainer Nut	A016003
5-a	Ceramic Disc Cartridge-Cold	A507102N
5-b	Ceramic Disc Cartridge-Hot	A507101N
6	Washer	A200003
7	Putty Plate	A011306
8	Lock Nut	A009007
9	Coupling Nut	A009018
10.	Spout Trim Cap	A603571
11.	Spout	A13200N
12	O-Ring (Φ 7/8" ID * Φ 1-1/8" OD)	A004051N
13	Diverter w/Vacuum breaker	A501013N
14.	Aerator	A500113N
15.	Side Spray	A503002N
16.	Spray Holder Assembly(2-1/2" L)	A504042
17.	Spray Hose	A511000N