



## 8" Double Handle Kitchen Faucet PRO4110

### FEATURES:

- Solid brass waterways
- Fits 8" center holes
- Drip free ceramic cartridge
- ½" 14 NPSM Inlet
- Acrylic handles
- 9" Elliptic spout
- With spray
- 100% ISO9001 certified factory pressure tested before shipment



### APPLICABLE STANDARDS/CODES:

Specified model meets or exceeds the following:

- ANSI/ASME A112.18.1
- CSA B125
- ANSI/NSF 61 – Sec. 9
- IAPMO/UPC

### AVAILABLE FINISHES:

- CP = Polished Chrome

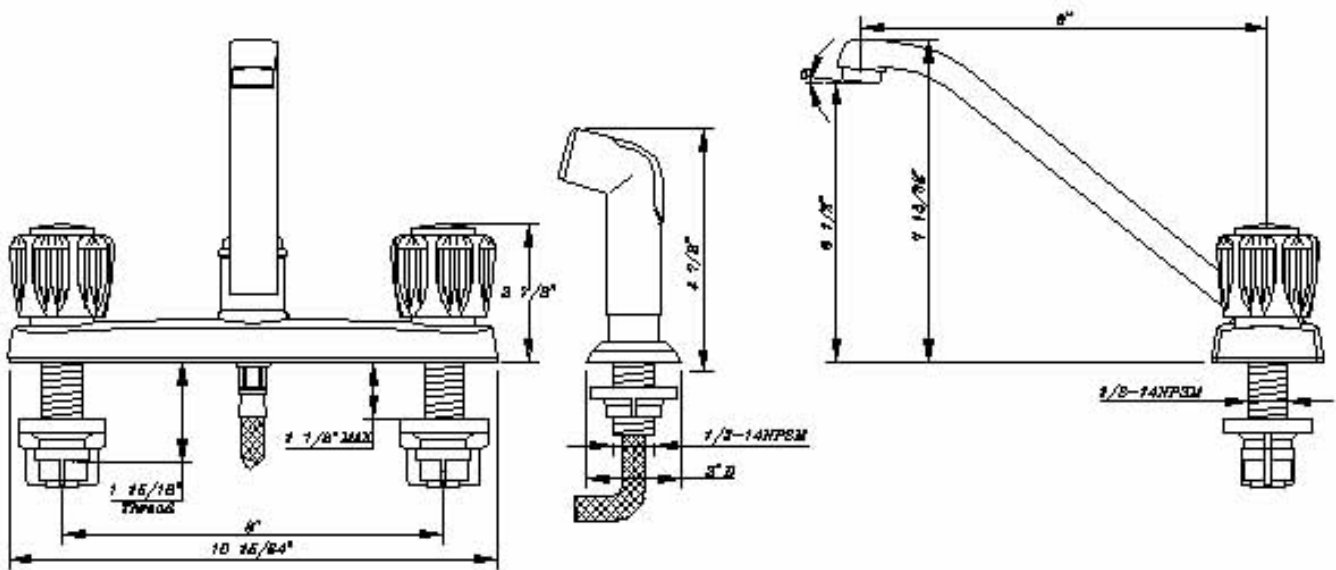
### SPECIFIED MODEL:

Model	Description	Finish
PRO4110	8"double handle kitchen Faucet,	CP



PRO4110

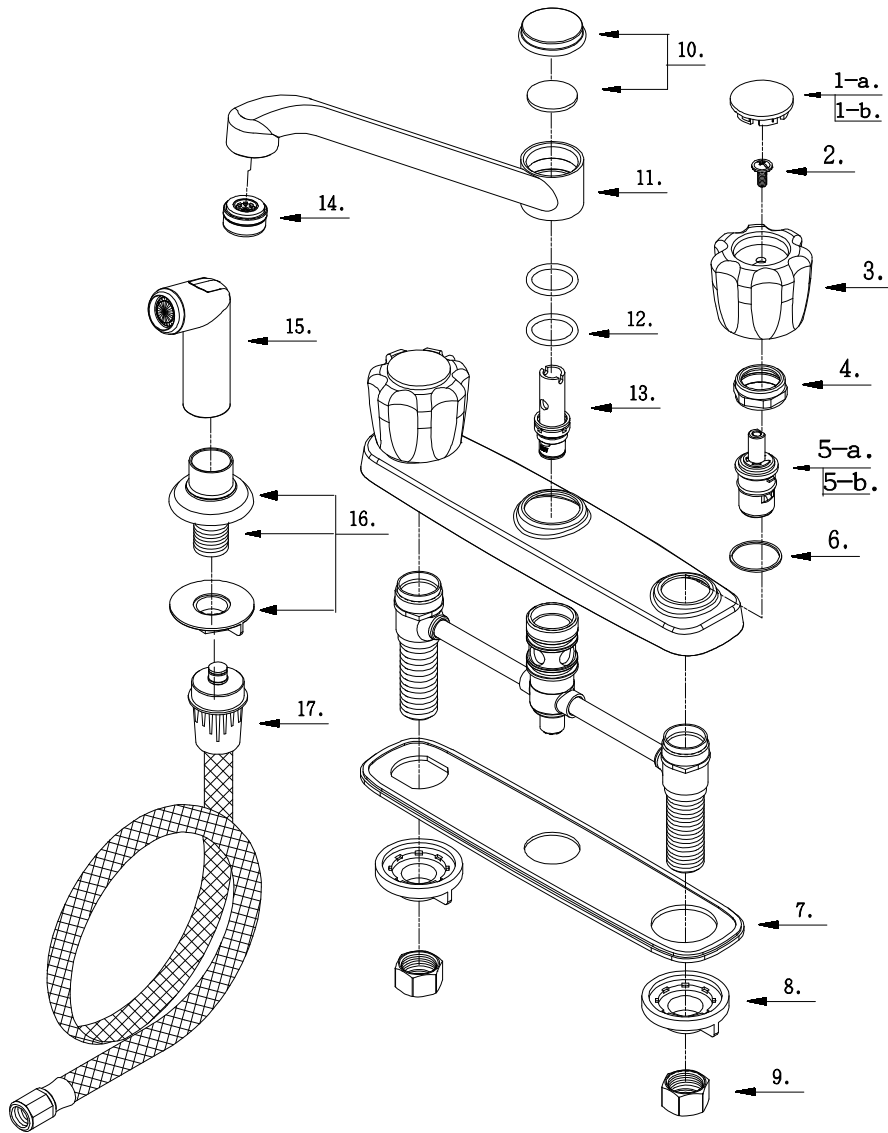
PRODUCT SPECIFICATION DIAGRAM





# PRO4110

## EXPLODED DRAWING





# PRO4110

## PARTS LISTING

No.	Part Name	Part No.
1-a	Index Button-Cold	A206157C
1-b	Index Button-Hot	A206154H
2	Screw(3/16" -24 * 1/2" L)	A008000
3	Acrylic handle	A029001
4	Retainer Nut	A016002
5-a	Ceramic Disc Cartridge-Cold	A507102N
5-b	Ceramic Disc Cartridge-Hot	A507101N
6	Washer	A200003
7	Putty Plate	A011306
8	Lock Nut	A009007
9	Coupling Nut	A009016
10α.	Spout Trim Cap	A603571
11α.	Spout	A132000N
12	O-Ring(Φ7/8" ID * Φ1-1/8" OD)	A004051N
13	Diverter w/Vacuum Breaker	A501013N
14α.	Aerator	A500113N
15α.	Side Spray	A503002N
16α.	Spray Holder Assembly	A504042
17α.	Spray Hose	A511000N