



8" Double Handle High -rise Kitchen Faucet PRO4200

FEATURES:

- Solid brass waterways
- Fits 8" center holes
- Drip free ceramic cartridge
- ½" 14 NPSM Inlet
- metal handle
- With spray
- 100% ISO9001 certified factory pressure tested before shipment



APPLICABLE STANDARDS/CODES:

Specified model meets or exceeds the following:

- ANSI/ASME A112.18.1
- CSA B125
- ANSI/NSF 61 – Sec. 9
- IAPMO/UPC

AVAILABLE FINISHES:

- CP = Polished Chrome

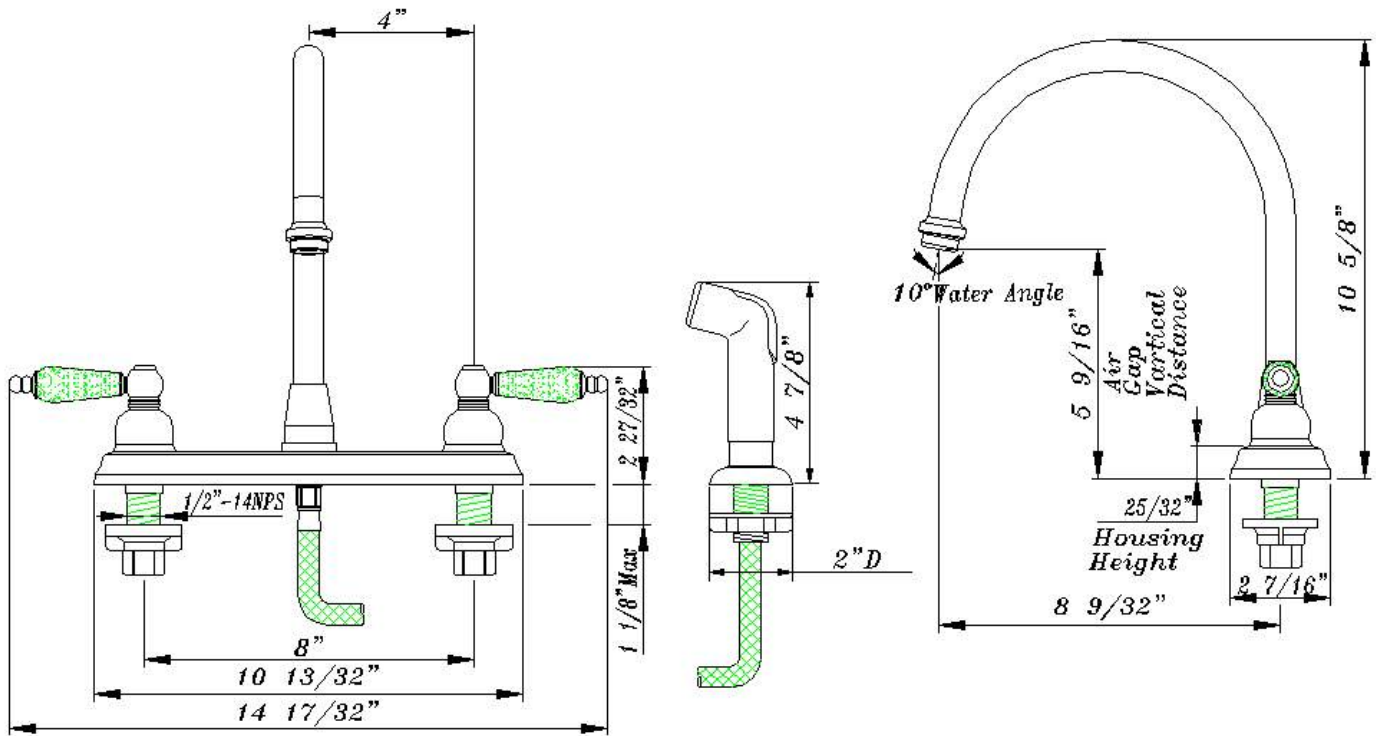
SPECIFIED MODEL:

Model	Description	Finish
PRO4200	8"double handle high -rise kitchen Faucet,	CP



PRO4200

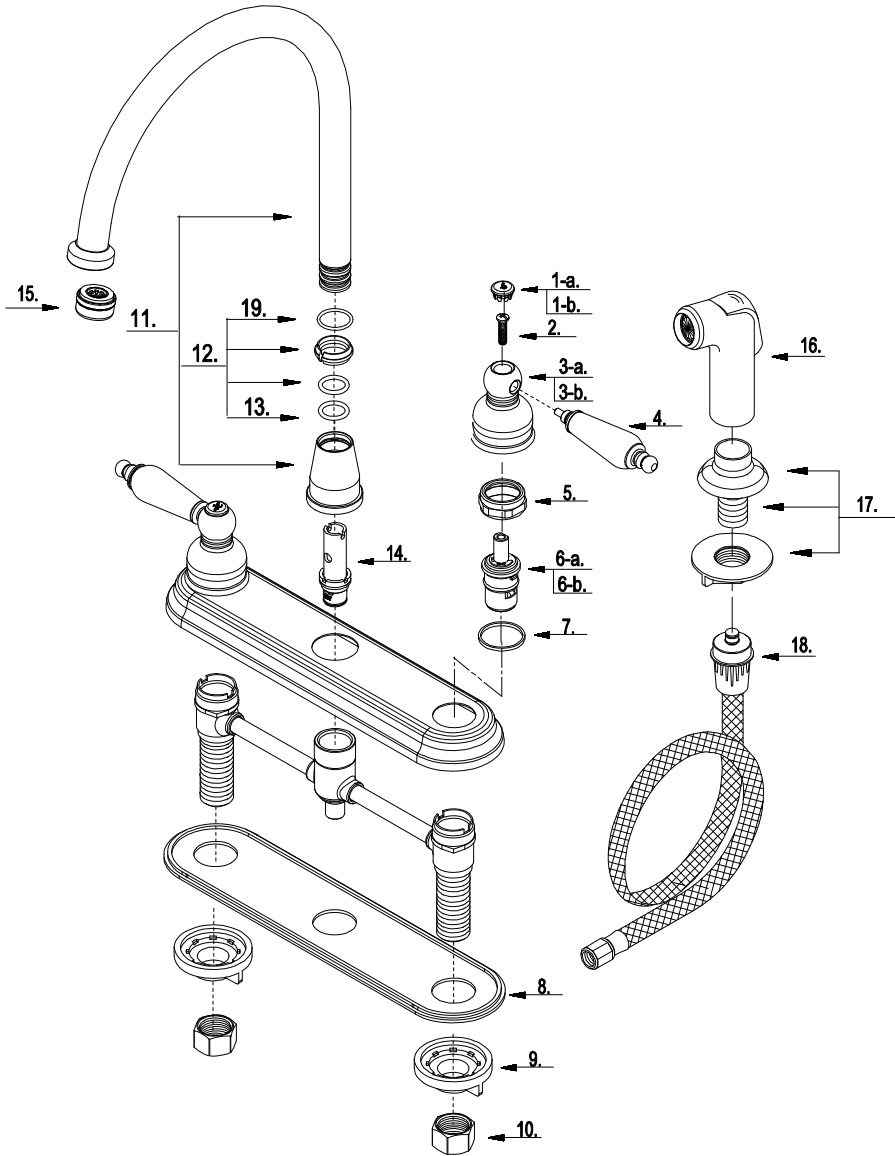
PRODUCT SPECIFICATION DIAGRAM





PRO4200

EXPLODED DRAWING





PRO4200

PARTS LISTING

No.	Part Name	Part No.
1-a⊙.	Index Button-Cold	A206041C
1-b⊙.	Index Button-Hot	A206041H
2	Screw(3/16" -24 * 11/16" L)	A008233
3-a⊙.	Handle Body-Cold	A018108C
3-b⊙.	Handle Body-Hot	A018108H
4⊙.	Porcelain Handle Insert	A552108
5α.	Retainer Nut	A016002
6-a	Ceramic Disc Cartridge-Cold	A507102N
6-b	Ceramic Disc Cartridge-Hot	A507101N
7	Washer	A200013
8	Putty plate	A011003
9	Lock Nut	A009007
10	Coupling Nut	A009016
11⊙.	Spout Assembly	A666125N
12	Spout Seal Kit	A663696N
13	O-Ring(Φ9/16" ID * Φ3/4" OD)	A004005N
14	Spray Diverter w/Vacuum Breaker	A501013N
15⊙.	Aerator	A500113N
16⊙.	Side Spray	A503002N
17⊙.	Spray Holder Assembly(2-1/2" L)	A504042
18⊙.	Spray Hose	A511000N
19	O-Ring(Φ11/16" ID * Φ7/8" OD)	A004073