



PRO5000

Pressure Balance Tub & Shower Faucet Valve Only

FEATURES:

- *Pressure balance valve*
- *Ceramic Disc Cartridge*
- *plaster guard included*
- *With integral stops*
- *IPS and sweat connections*
- *100% Factory Pressure Tested*



APPLICABLE STANDARDS/CODES:

Specified model meets or exceeds the following:

- *ANSI/ASME A112.18.1*
- *CSA B125*
- *ANSI/NSF 61 – Sec. 9*
- *IAPMO/UPC*

AVAILABLE FINISHES:

- *CP = Polished Chrome Finish*

SPECIFIED MODEL:

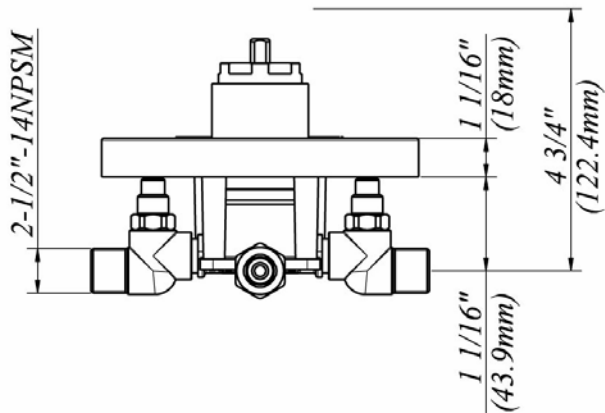
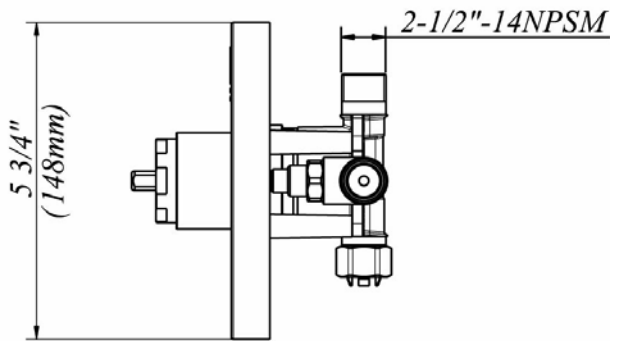
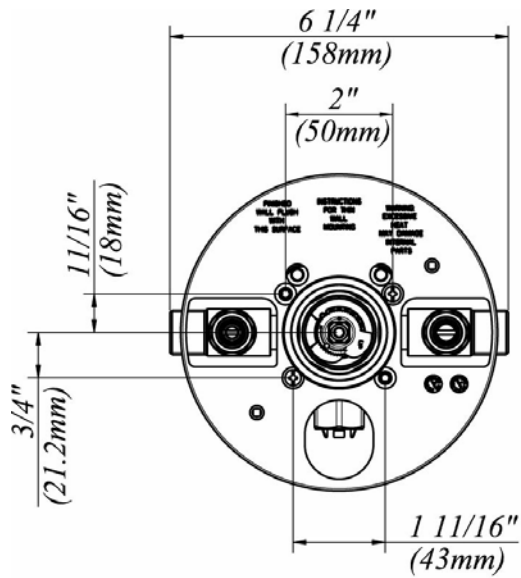
Model	Description	Finish	
PRO5000	Pressure Balance Tub & Shower Faucet Valve Only	CP	





PRO5000

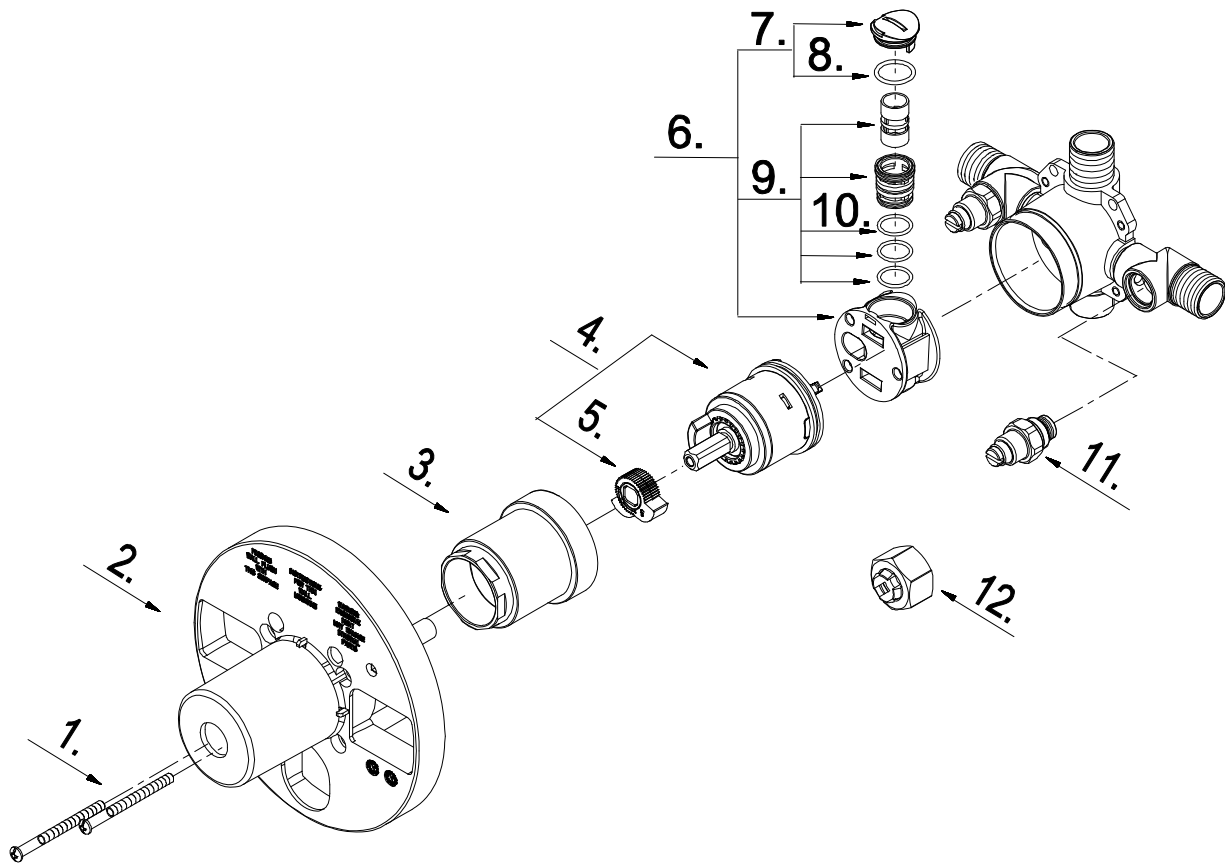
PRODUCT SPECIFICATION DIAGRAM





PRO5000

EXPLODED DRAWING





PRO5000

PARTS LISTING

NO.	Part Name.	Part No.
1	Screw (3/16" -24 * 2-3/16" L)	A008241
2	Plaster Guard	A127008
3	Sleeve	A041509
4	Ceramic Disc Cartridge Assembly	A507127
5	Temperature Limiting Device	A603570
6	Pressure Balancing Insert	A034275
7	Cap	A603632
8	O-Ring (Φ 5/8" ID * Φ 3/4" OD)	A004015
9	Piston & Cylinder Assembly	A208256
10	O-Ring(Φ 9/16" ID * Φ 5/8" OD)	A048026
11	Check Valve	A663987
12	Plug	A028452