



Single Handle Shower Trim

FEATURES:

- Metal Lever Handle
- Easy Clean Showerhead With Gray Jets
- Brass Shower Arm & Flange
- Max Flow Rate: 2.5 GPM @ 60 PSI
- 100% Factory Tested (all)
- For Use With Valve#410-CP-CD



APPLICABLE STANDARDS/CODES:

Specified model meets or exceeds the following:

- ANSI/ASME A112.18.1
- CSA B125
- IAPMO/UPC
- ADA

AVAILABLE FINISHES:

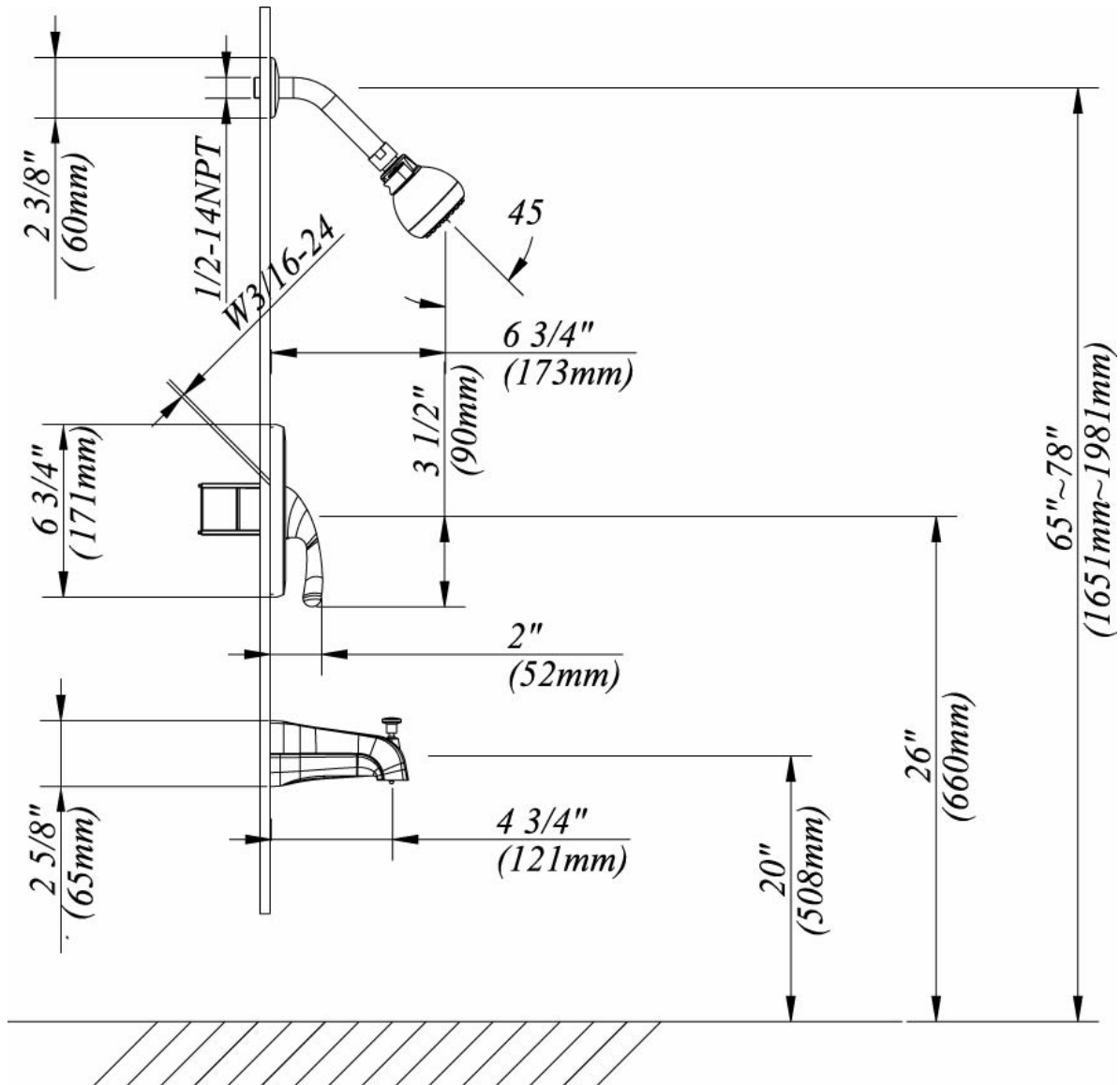
- CP=Polished Chrome
- BN=Brushed Nickel

SPECIFIED MODEL:

| Model | Description | Finish |
|------------|--------------------------------|--------|
| PRO5300 | Single handle shower trim only | CP |
| PRO5300-BN | Single handle shower trim only | BN |

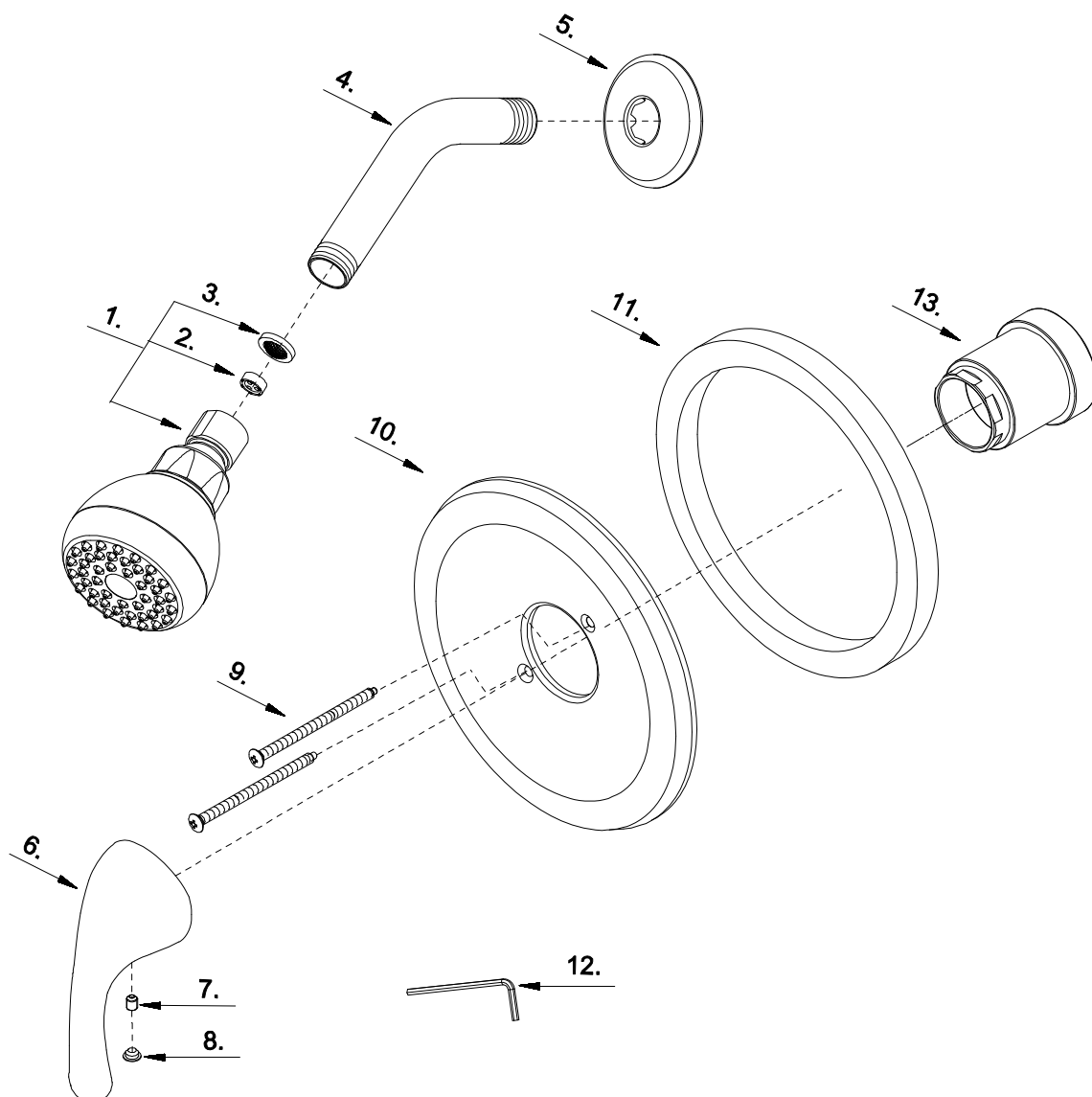


PRODUCT SPECIFICATION DIAGRAM





EXPLODED DRAWING





PARTS LISTING

| No. | Part Name | Part No. |
|-----|---------------------------------------|--------------|
| 1 | Shower Head | S1211202 |
| 2 | Flow Restrictor | A112727 |
| 3 | Screen Washer | A022028 |
| 4 | Shower Arm | A020901 |
| 5 | Shower Arm Flange | A019001 |
| 6 | Metal Handle | A029046 |
| 7 | Screw (M5 * 6 mm L) | A008088 |
| 8 | Index Button-Hot/Cold | A028065 |
| 9 | Screw (3/16" -24 * 3" L) | A075212 |
| 10 | Escutcheon | A006004-55-S |
| 11 | Escutcheon Seal | A060055 |
| 12 | Hex Wrench (H2.5 * 19 mm L * 53 mm L) | A031000 |
| 13 | Sleeve (for BN & ORB trims only) | A041509 |