



4" Two Handle Laundry FAUCET PRO6700

FEATURES:

Fits 4" Center Holes

- Solid brass waterways
- Drip free ceramic cartridge
- 1/2" 14 NPSM Inlet
- Metal round handle
- Threaded aerator
- 100% factory pressure tested prior to shipment
- Max flow rate: 2.2GPM at 60PSI
- Polished chrome finish



APPLICABLE STANDARDS/CODES:

Specified model meets or exceeds the following:

- ANSI/ASME A112.18.1
- CSA B125
- ANSI/NSF 61 – Sec. 9
- IAPMO/UPC

AVAILABLE FINISHES:

- CP = Polished Chrome

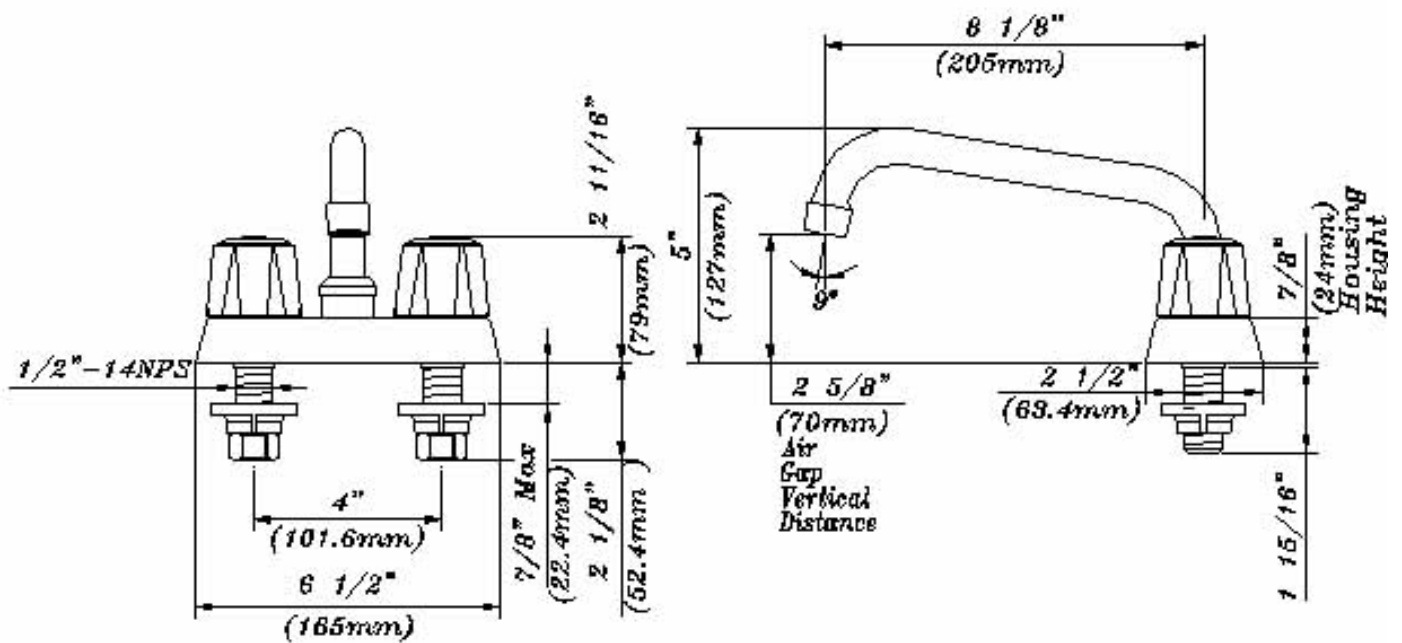
SPECIFIED MODEL:

Model	Description	Finish
PRO6700	4"double handle laundry faucet.	CP



PRO6700

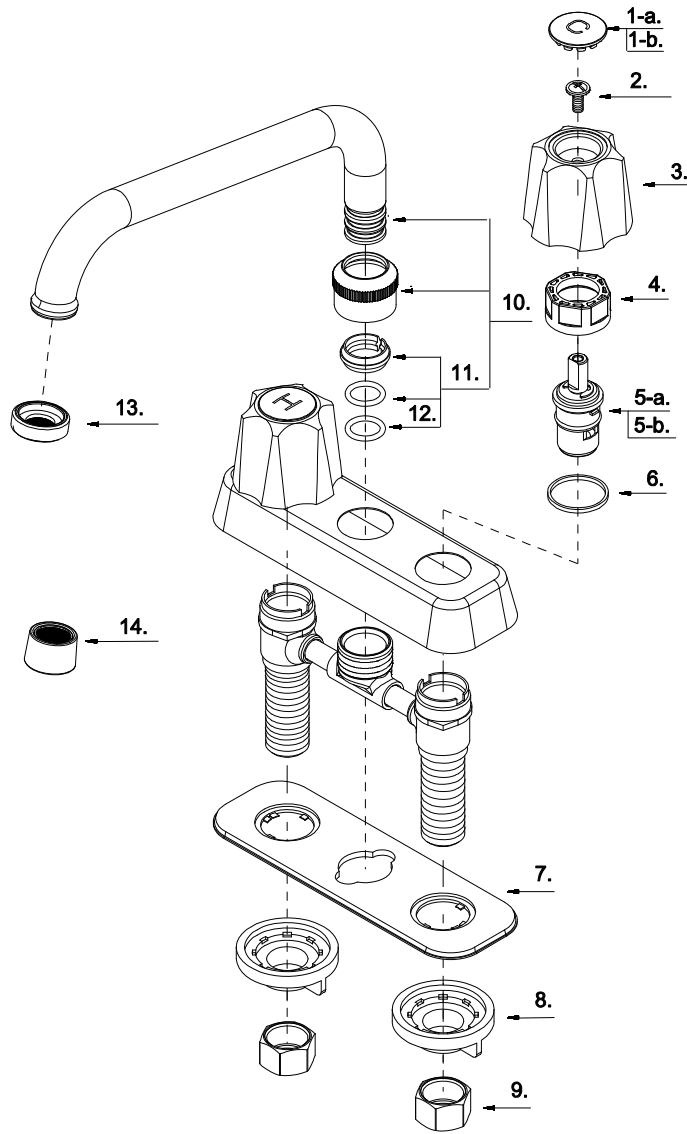
PRODUCT SPECIFICATION DIAGRAM





PRO6700

EXPLODED DRAWING





PRO6700

PARTS LISTING

No.	Part Name	Part No.
1-a⊙.	Index Button-Cold	A206046C
1-b⊙.	Index Button-Hot	A206046H
2	Screw (3/16" -24 * 1/2" L)	A008000
3⊙.	Metal Handle	A029009
4	Retainer Nut	A016003
5-a	Ceramic Disc Cartridge-Cold	A507102N
5-b	Ceramic Disc Cartridge-Hot	A507101N
6	Washer	A200013
7	Putty Plate	A011018
8	Lock Nut	A009007
9	Coupling Nut	A009016
10⊙.	Spout Assembly	A666000N
11	Spout Seal Kit	A663044N
12	O-Ring (Φ9/16" ID * Φ3/4" OD)	A004005N
13⊙.	Flow Straightener	A500003N
14⊙.	Aerator	A500032N