



4" TWO HANDLE BAR FAUCET PRO6900

FEATURES:

Fits 4" Center Holes

- Solid brass waterways
- Drip free ceramic cartridge
- $\frac{1}{2}$ " 14 NPSM Inlet
- Water saving aerator
- 100% factory pressure tested prior to shipment
- Max flow rate: 2.2GPM at 60PSI
- Polished chrome finish



APPLICABLE STANDARDS/CODES:

Specified model meets or exceeds the following:

- ANSI/ASME A112.18.1
- CSA B125
- ANSI/NSF 61 – Sec. 9
- IAPMO/UPC

AVAILABLE FINISHES:

- CP = Polished Chrome

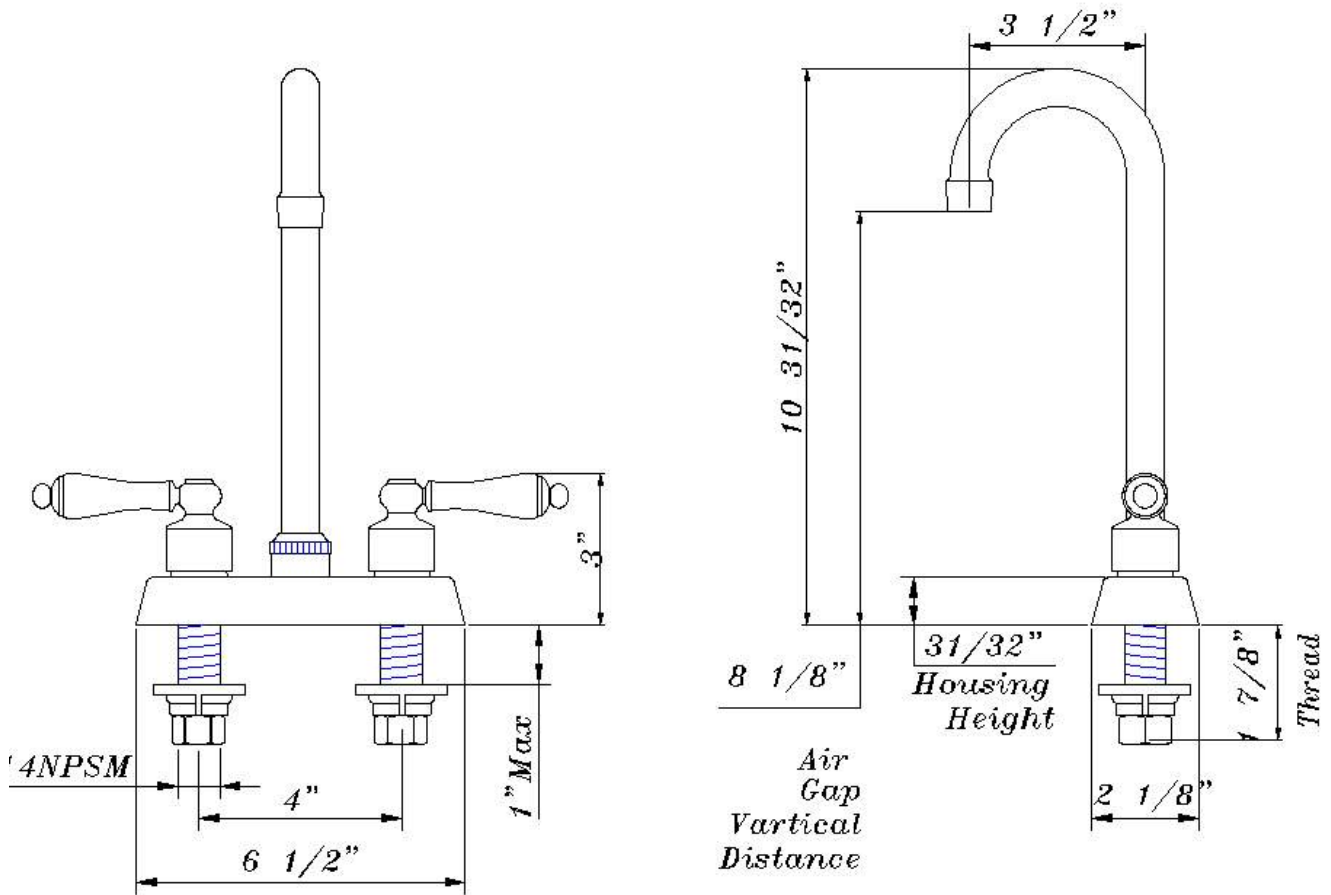
SPECIFIED MODEL:

Model	Description	Finish
PRO6900	4"double handle bar faucet.	CP



PRO6900

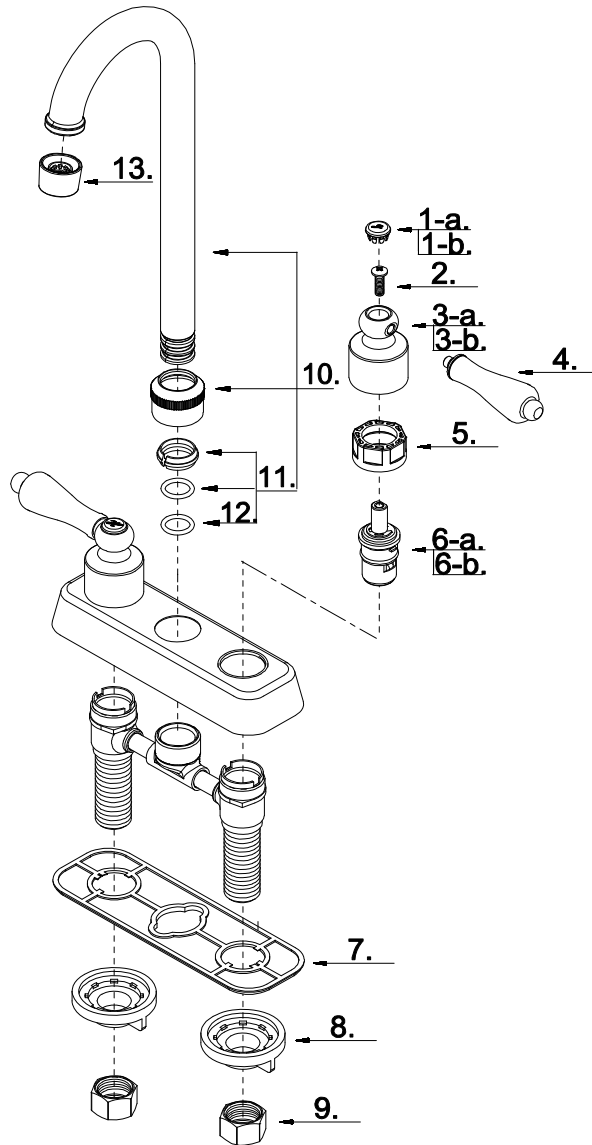
PRODUCT SPECIFICATION DIAGRAM





PRO6900

EXPLODED DRAWING





PRO6900

PARTS LISTING

No.	Part Name	Part No.
1-a⊙.	Index Button-Cold	A206041C
1-b⊙.	Index Button-Hot	A206041H
2⊙.	Screw(3/16" -24 * 9/16" L)	A008044
3-a⊙.	Handle Body-Cold	A018120C
3-b⊙.	Handle Body-Hot	A018120H
4⊙.	Metal Handle Insert	A662560
5	Retainer Nut	A016003
6-a	Ceramic Disc Cartridge-cold	A507102N
6-b	Ceramic Disc Cartridge-Hot	A507101N
7	Putty Plate	A011018
8	Lock Nut	A009007
9	Coupling Nut	A009016
10⊙.	Spout Assembly	A666169N
11	Spout Seal Kit	A663044N
12	O-Ring(Φ9/16" ID * Φ3/4" OD)	A004005N
13⊙.	Aerator	A500012N